

USB SERIES

CHOGORI

USB Series Specifications

USB Series, Male Connector

Description

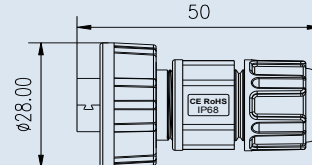
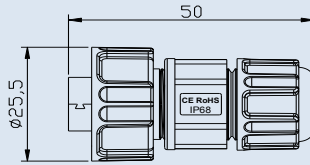
Field Installable, 180°
Screw Type, Solder

Field Installable, 180°
Lock Bayonet Type, Solder

Figure



Drawing



Part Number

Contacts	Cable Range(mm)	Part Number	Contacts	Cable Range(mm)	Part Number
4	3.5 - 6.8	34000000-01	4	3.5 - 6.8	34000000-02

Specifications

Number of Contacts	4	
Wire Gauge	0.204mm ² (24AWG)	
Cable Range	3.5mm - 6.8mm	
Environmental Protection	IP68	IP67
Mechanical Life	1500 mating cycles	
Operating Temperature	- 45°C - +85°C	
Breakdown Voltage	≥ AC 500V / 1Minute	
Speed	480 Mbps	
Contact Resistance	≤ 30mΩ Max	
Insulation Resistance	≥ 1000MΩ Min	
Rated Current (40°C)	1.5 A	

USB SERIES

CHOGORI

USB Series Specifications

USB Series, Panel Mount

Description

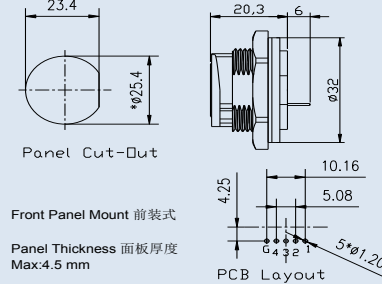
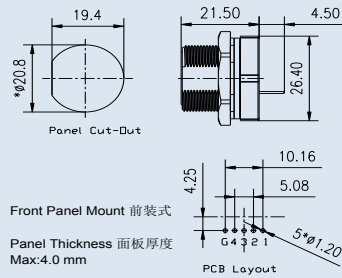
Panel Front Mount,
Screw Type, PCB

Panel Front Mount,
Lock Bayonet Type, PCB

Figure



Drawing



Part Number

Contacts	Part Number	Contacts	Part Number
4	34000000-03	4	34000000-04

Specifications

Number of Contacts	4	
Environmental Protection	IP68	IP67
Mechanical Life	1500 mating cycles	
Operating Temperature	- 45°C - 85°C	
Breakdown Voltage	≥ AC 500V / 1Minute	
Speed	480 Mbps	
Contact Resistance	≤ 30mΩ Max	
Insulation Resistance	≥ 1000MΩ Min	
Rated Current (40°C)	1.5 A	

USB SERIES

CHOGORI

USB Series Specifications

USB Series, Panel Mount

Description

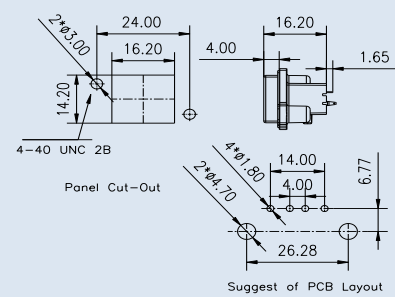
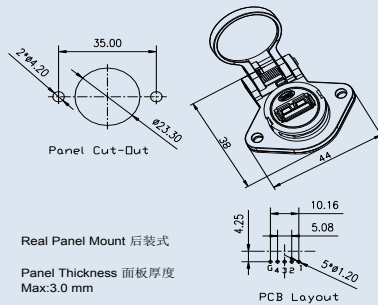
Panel Mount,
Lock Type, PCB

Panel Mount,
kirsite, PCB

Figure



Drawing



Part Number

Contacts	Part Number	Contacts	Part Number
4	34000000-05	4	34000000-06

Specifications

Number of Contacts	4	
Environmental Protection	IP67	IP67
Mechanical Life	1500 mating cycles	
Operating Temperature	- 45°C - 85°C	
Breakdown Voltage	≥ AC 500V / 1Minute	
Speed	480 Mbps	
Contact Resistance	≤ 30mΩ Max	
Insulation Resistance	≥ 1000MΩ Min	
Rated Current (40°C)	1.5 A	